



**PARADIGM SPINE**  
*the movement in spine care*

# Lumbar Spinal Stabilization

## DSS Stabilization System

The *DSS* system provides Semi-Rigid and Rigid Stabilization for customized Spine Stabilization according to Pathology at the Functional Spine Unit (FSU).



- Multilevel, Semi-Rigid Spine Stabilization or Single Level Rigid Spine Stabilization as an adjunct to fusion
- Systematic approach to Spine Stabilization
- Modularity provides flexibility to match anatomy and the rigidity of stabilization required
- Single Instrument Set for Semi-Rigid and Rigid constructs
- DDD, Spondylolisthesis, Trauma, Kyphosis, Stenosis, Pseudarthrosis\*

**DSS**<sup>®</sup> Stabilization System  
[www.paradigmspine.com](http://www.paradigmspine.com)

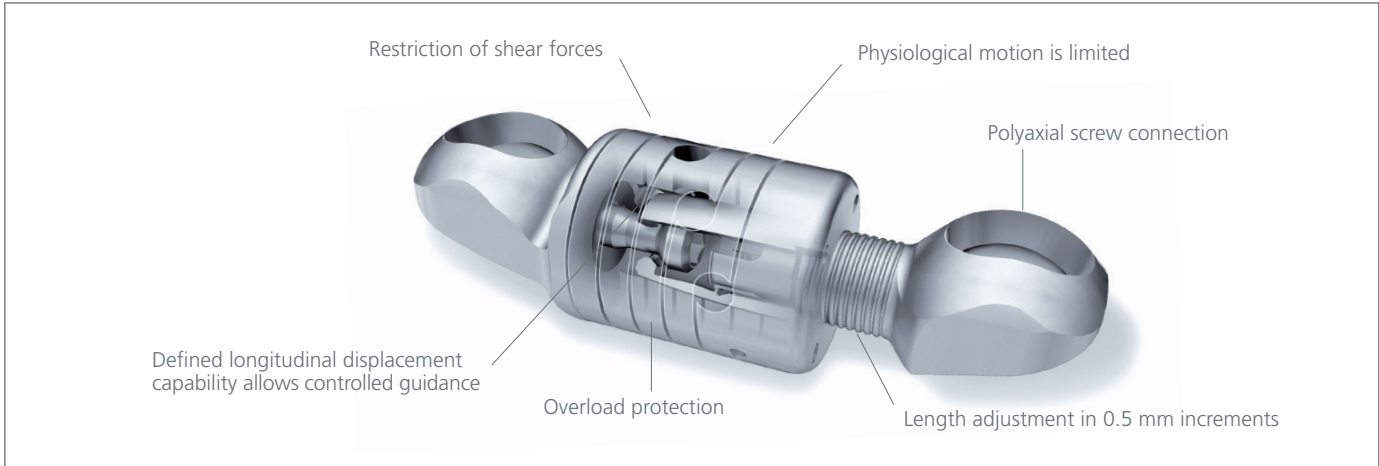


Immobilization and Stabilization for Spine Fusion

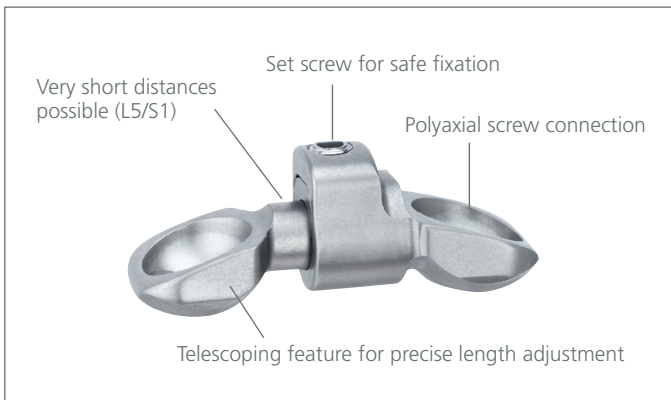
# DSS Stabilization System

## Slotted Coupler and Rigid Coupler

### Slotted Coupler



### Rigid Coupler

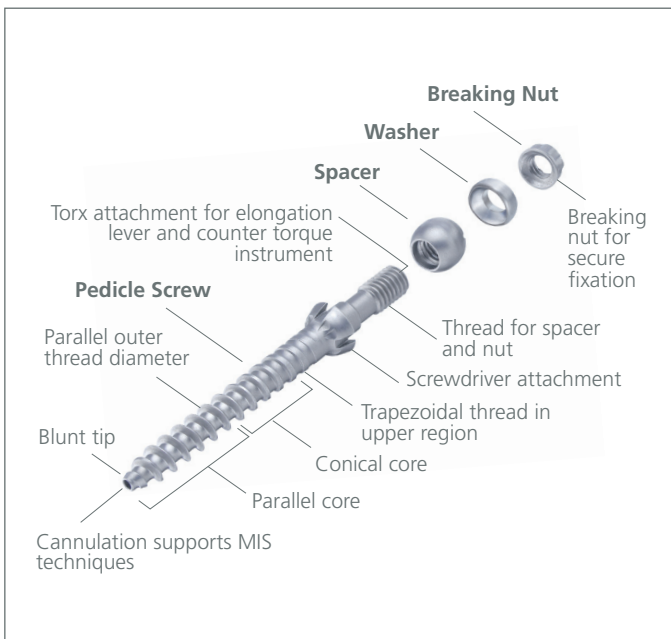


### Options:

### Customized Stabilization for specific pathology at Functional Spine Unit (FSU)

- Adjustable couplers adapt to interpedicular lengths and anatomy
- Cannulated polyaxial screws for MIS approach
- Intuitive instrumentation, easy-to-use
- Sterile packaging of all implants for traceability, inventory management and reduced burden on sterile processing
- Approved for use with autograft and/or allograft

### Pedicle Screw Set



**DSS®** Stabilization System  
[www.paradigmspine.com](http://www.paradigmspine.com)

\* The safety and effectiveness of this device has not been established for the intended use of spinal stabilization without fusion. This device is only intended to be used when fusion with bone graft is being performed at all instrumented levels.

\* See U.S. IFU for Indications, Warnings, Precautions and Limitations.



**PARADIGM SPINE**  
*the movement in spine care*

Paradigm Spine, LLC  
 505 Park Avenue, 14th Floor  
 New York, NY 10022  
 USA

Toll-Free: (888) 273-9897  
 Fax: (917) 591-6419

[www.paradigmspine.com](http://www.paradigmspine.com)